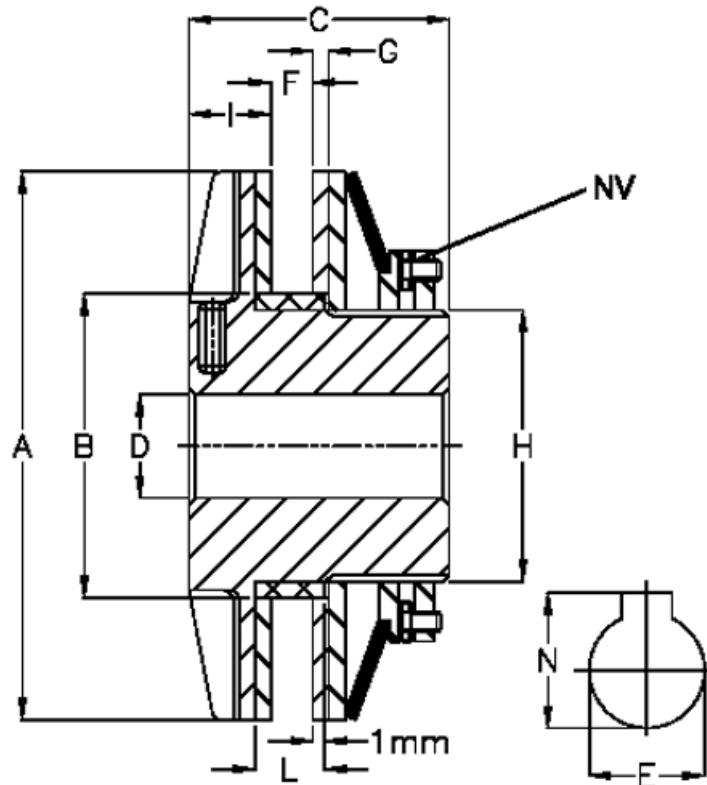


Article number: 4618006

Description: Securex torque limiter T 1800/170

Measures



| | | |
|----------|---|--------|
| A = 170 | L | = 24 |
| B = 100 | Largest possible bore with slot according to DIN 6885/1, E max = 65 | |
| C = 93 | Largest possible bore with slot according to DIN 6885/1, N = 69.4 | |
| D = 28 | Largest possible bore with slot according to DIN 6885/3, E max = 70 | |
| F = 20 | Largest possible bore with slot according to DIN 6885/3, N = 73.3 | |
| G = 4.6 | Max torque Nm | = 1800 |
| H = 90 | Number of springs | = 2 |
| I = 26.5 | NV | = 13 |